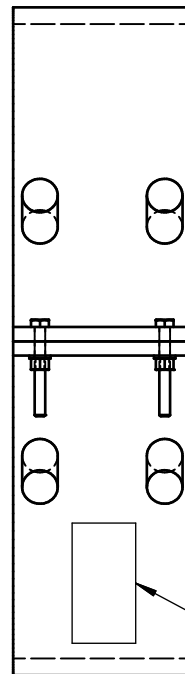
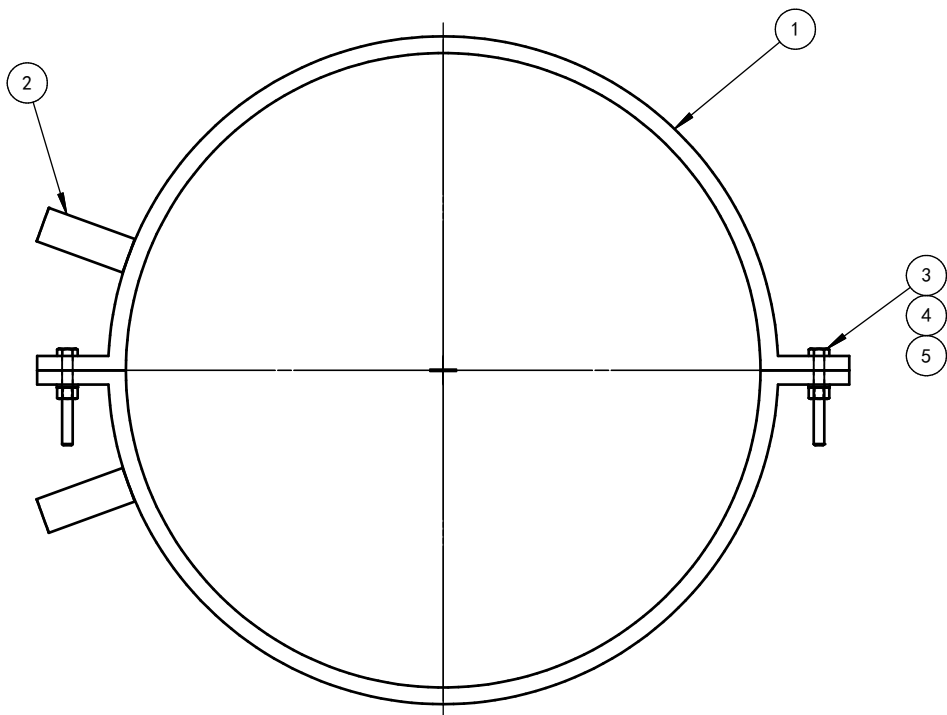
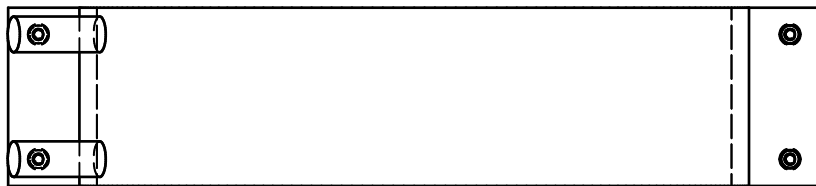


危险标志
SIGN



Mark the drawing number

- Technical Requirements:
1. Made of stainless steel (including bolts, nuts);
 2. Voltage: 380V;
 3. Power: 1Kw;



本图及所含的技术信息，为艾尼科环保技术（安徽）有限公司所有，受法律保护，
事先未经本公司书面许可，不得以任何方式描绘、复制、用于其他工程。提供披露给第三方。
THIS DRAWING AND THE TECHNICAL INFORMATION IT CONTAINS ARE THE PROPERTY OF EETC. IT MUST NOT BE
TRACED, COPIED, OR USED IN OTHER PROJECT NOR DISCLOSED TO ANY THIRD PARTY WITHOUT OUR WRITTEN CONSENT.